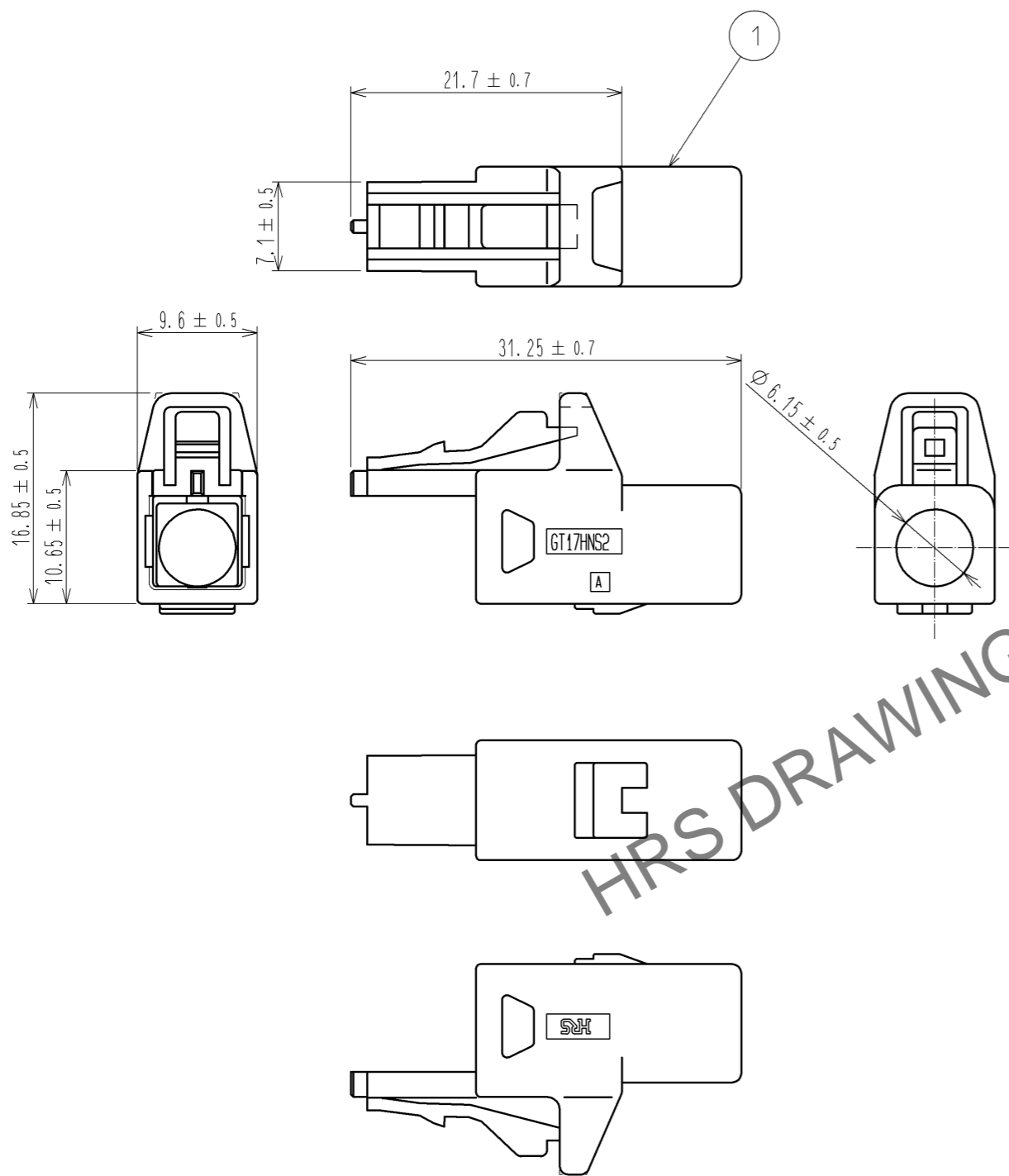
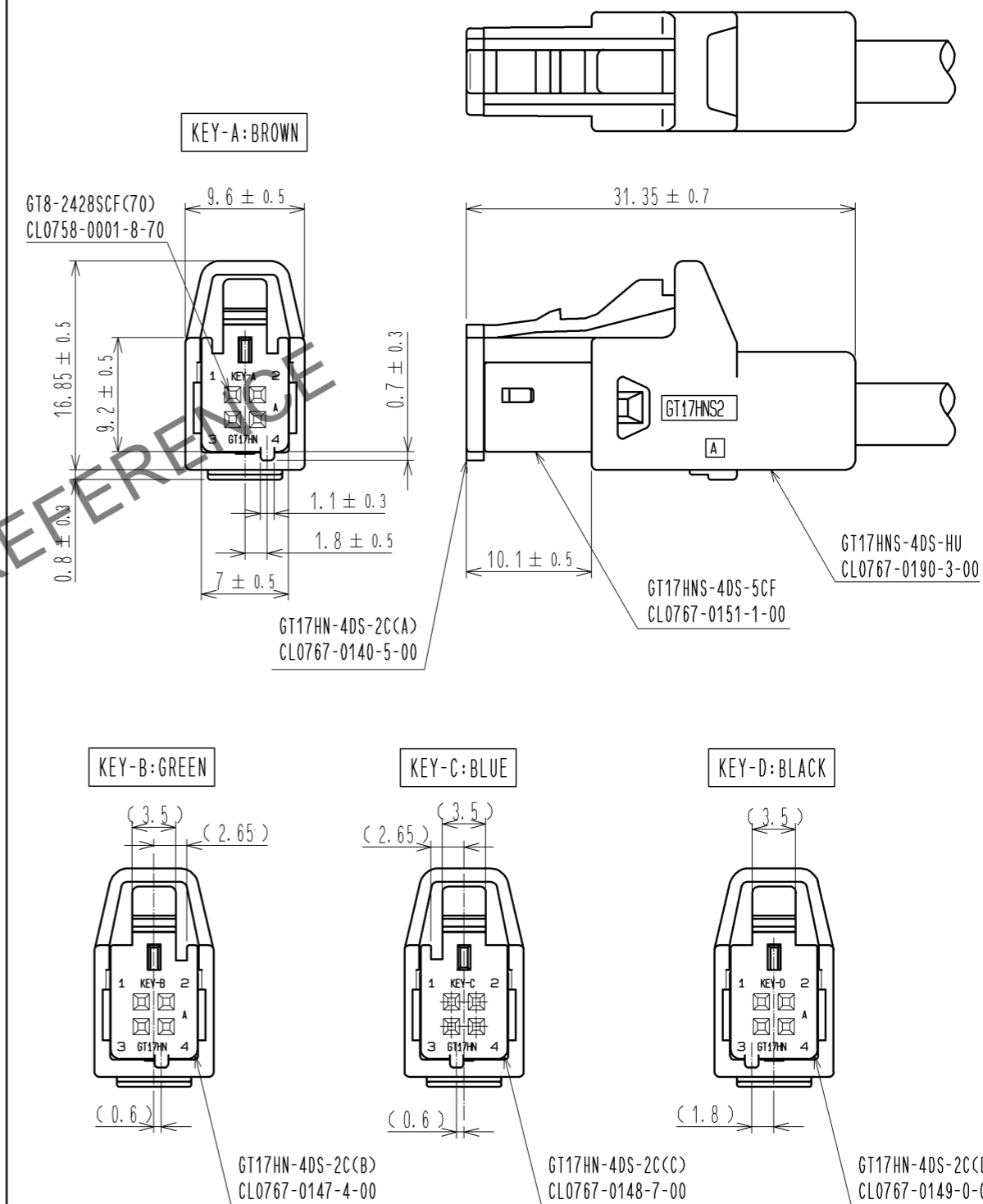


In case of consideration for using Automotive equipment / device which demand high reliability, kindly contact our sales window correspondents.

ELV. RoHS COMPLIANT



△ Harness assembled condition



1	PBT	DARK GRAY						
NO.	MATERIAL	FINISH	REMARKS	NO.	MATERIAL	FINISH	REMARKS	
UNITS		SCALE	COUNT	DESCRIPTION OF REVISIONS		DESIGNED	CHECKED	DATE
mm		2 : 1	1	DIS-T-004197		MH. SHOUJI	TS. KUBOTA	14. 12. 16
APPROVED : NH. NAKATA 14. 10. 20				DRAWING NO.		EDC3-167165-00		
CHECKED : TS. KUBOTA 14. 10. 20				PART NO.		GT17HNS2-4DS-HU		
DESIGNED : KK. FURUKAWA 14. 10. 17				CODE NO.		CL767-0190-3-00		
DRAWN : KK. FURUKAWA 14. 10. 17								