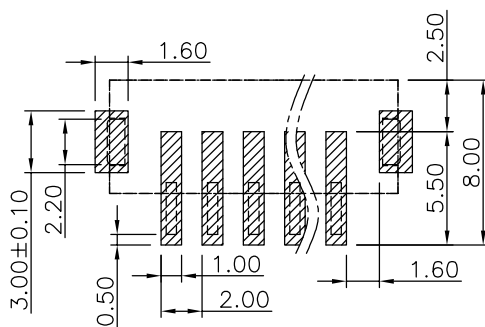
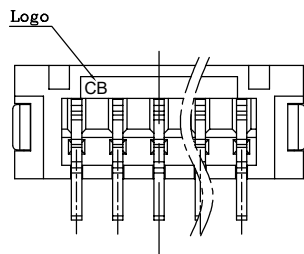
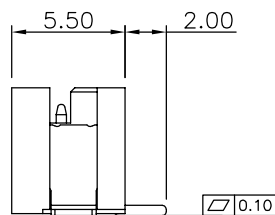
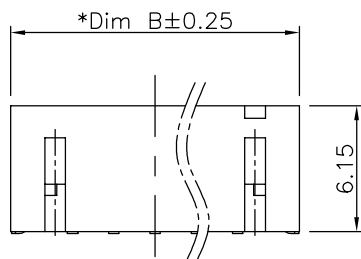
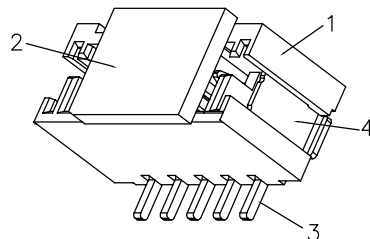
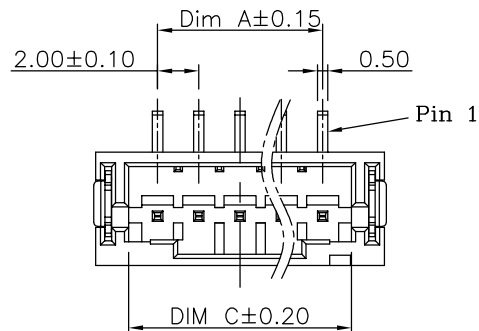


RoHS



RECOMMENDED P.C.B LAYOUT

NO.	COMPONENTS	MATERIALS	SPECIFICATION:FINISH/COLOR	QTY.
1	HOUSING	NYLON UL94V-0	WHITE/BLACK	1
2	CAP	NYLON UL94V-0	WHITE/BLACK	1
3	CONTACT	BRASS	THE SURFACE: TIN	N/A
4	SOLDER TAB	BRASS	THE SURFACE: TIN	2

NOTE(UNLESS OTHERWISE SPECIFIED):
 1. ALL MATERIAL MUST BE COMPLY WITH ROHS.
 2. PRODUCT PERFORMANCE:
 2.1 RATED VOLTAGE(MAX.):100V AC/DC
 2.2 RATED CURRENT(MAX.):2.0A AC/DC
 2.3 DIELECTRIC STRENGTH:800V AC FOR 1 MINUTE BETWEEN ADJACENT TERMINAL, NO BREAKDOWN
 2.4 INSULATION RESISTANCE:1000 MΩ MIN. 500VDC FOR 1 MINUTE BETWEEN ADJACENT TERMINAL
 2.5 CONTACT RESISTANCE:20 mΩ MAX.
 2.6 OPERATING TEMPERATURE:-25°C to +85°C
 3.PART NO. LEGEND: 1WF06-924 XXX-00XXX

WATER CODE
002:2PIN

COLOR	PART NO.	Circuit No.	Dimensions			
			A	B	C	D
NYLON BLACK	1WF06-924002-00002	02P	2.00	8.00	4.80	0.80
NYLON WHITE	1WF06-924002-00003					
NYLON WHITE	1WF06-924003-00001	03P	4.00	10.00	6.80	2.00
NYLON BLACK	1WF06-924004-00001	04P	6.00	12.00	8.80	4.00
NYLON WHITE	1WF06-924004-00002					
NYLON WHITE	1WF06-924005-00001	05P	8.00	14.00	11.00	6.00
NYLON WHITE	1WF06-924006-00001	06P	10.00	16.00	13.00	8.00
NYLON WHITE	1WF06-924007-00001	07P	12.00	18.00	15.00	10.00
NYLON WHITE	1WF06-924008-00001	08P	14.00	20.00	17.00	12.00
NYLON WHITE	1WF06-924009-00001	09P	16.00	22.00	19.00	14.00
		10P	18.00	24.00	21.00	16.00
NYLON WHITE	1WF06-924011-00001	11P	20.00	26.00	23.00	18.00
NYLON WHITE	1WF06-924012-00001	12P	22.00	28.00	25.00	20.00
		13P	24.00	30.00	27.00	22.00
		14P	26.00	32.00	29.00	24.00
		15P	28.00	34.00	31.00	26.00
		16P	30.00	36.00	33.00	28.00

5.0	2022.10.14	Added 12PIN specifications	ShunMingWen	DRAWING: Bains	GENERAL TOLERANCE .X:=±0.30 .X*:=±2° .XX:=±0.25 .XX*:=±1° .XXX:=±0.15 .XXX*:=±0.5°
4.0	2022.03.23	MODIFY PRODUCT NUMBER	ShunMingWen		
3.0	2017.05.27	REVISION" PART NO. LEGEND"	Tian Hai	CHECKED: Tian Hai	UNIT: MM PROJECTION:
2.0	2016.09.1	INCREASE SIZE CONTROL	Tian Hai	APPROVAL: Cykin	SCALE: 1/1
1.0	2016.07.20	NEW	Tian Hai		SHEET: 1/1
NO.	DATE	DESCRIPTION	DRAWING		

CHIN-BAN
Electronic Technology

DESCRIPTION: 2.00 mm Pitch Wafer TOP Entry SMT Type
 PART NO: 1WF06-924XXX-00XXX REV: 5.0
 OLD CODE: WB2007US-XXTX-CB
 DRAWING NO: UK0297 SIZE: A4