

材质及电镀

焊针：黄铜，镀锡

塑件：PA66 UL94V-0

电气性能

额定电压：300V

额定电流：8A

接触电阻：20m

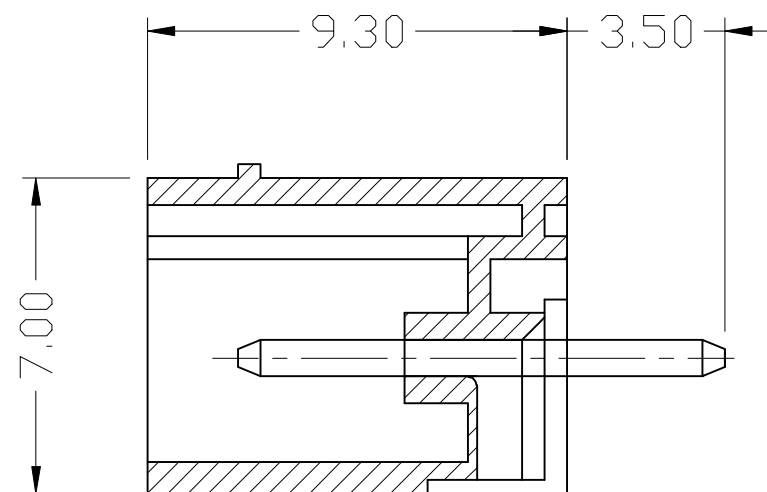
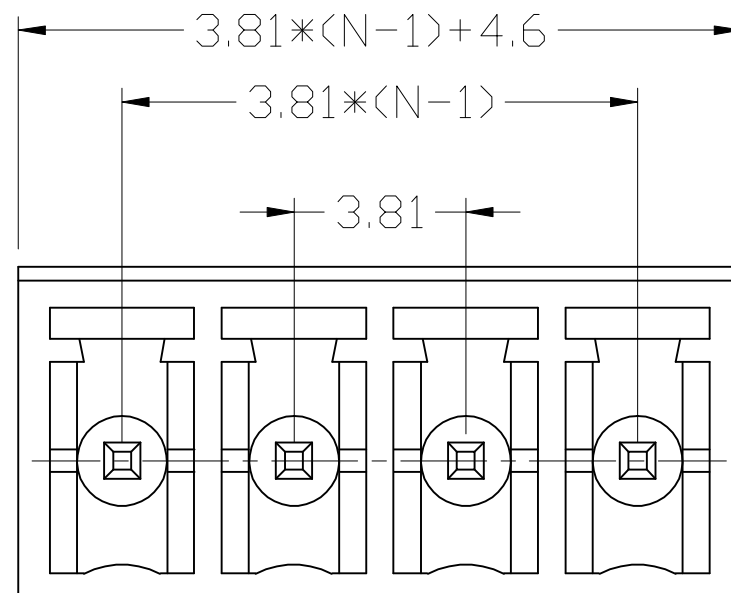
绝缘电阻：5000/1000V

耐电压：AC1500V/1min

机械性能

温度范围：-40 ° C~+105 ° C

瞬时温度：+250 ° C 5秒



new		2015/5/3		A		瀚源	
ECN BO.		DESCRIPTION.		DATE.			
DESIGNED	CHECKED	APPROVAL	DRAWING NUMBER	SCALT: 1/2		SCALE: 3:1	
Mikey	Tom	Jerry	PART NAME	2EDGV-3.81-XXP	UNLESS OTHERWISE SPECIFIED, TOLERANCE:	X.	±0.25
			MODEL NAME	2EDGV-3.81-XXP		X.x	±0.20
			3RD ANGLE PROJ	HanElectricity Co.,LTD		X.xx	±0.15
						ANGULAR	±3°
						FILE.NO.	